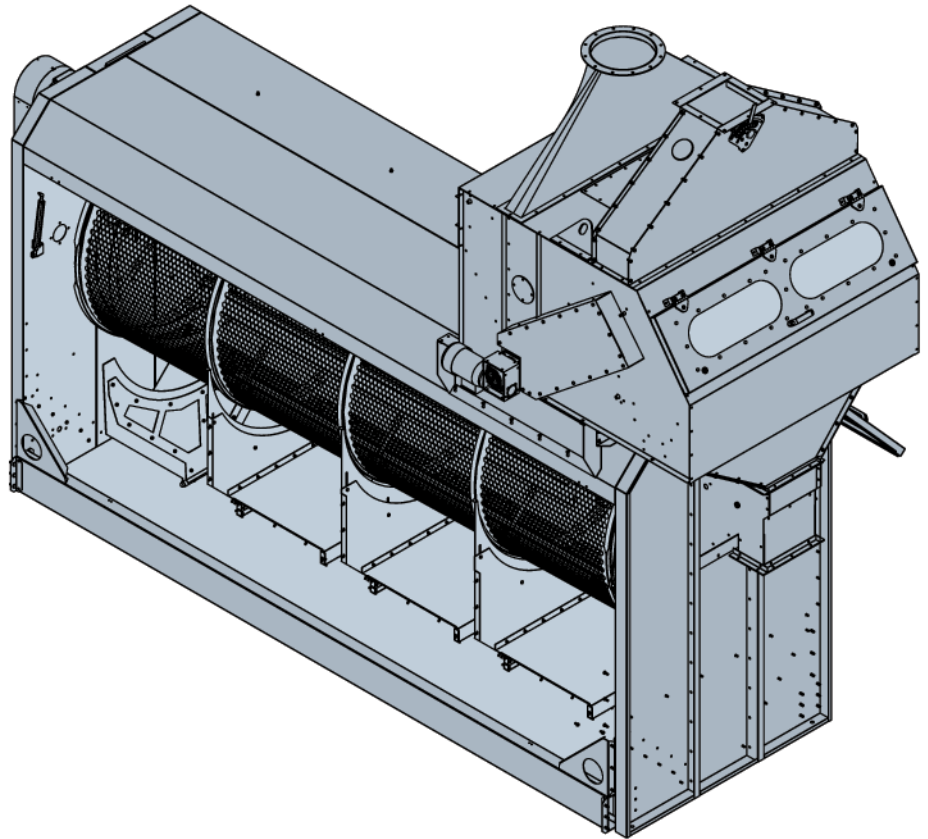


Symmetry Super Rotary model grain cleaning machines offer an ideal solution in pre-cleaning processes with their versatile and compact design. Super Rotary model grain cleaning machines; It performs the separation of coarse objects that do not pass through the dust and sieves in the grain. The cleaning system consists of adjustable slope cylinders. In this way, capacity adjustment can be made according to the type of product.



PRODUCT FEATURES

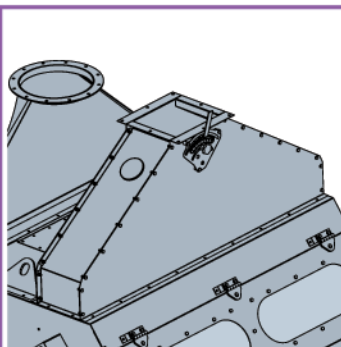
In the pre-cleaning process, the product enters the air duct to absorb dust, then poured into a rotating cylindrical drum whose sieves can be changed. In addition to the cleaning process by separating unknown material larger than the grain, it also ensures the safe operation of the equipment in the system. In the cleaning process, different from the pre-cleaning process; The first sieve cleans fine unknown material (soil, broken grain) from the grain, while the grain in good condition; The cleaning process takes place when it passes through other sieves with larger holes. In the classification process, sieves of different designs are used.

STANDARD EQUIPMENT:

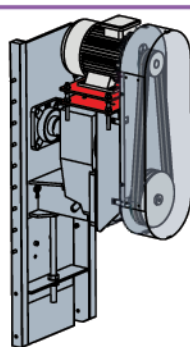
- Adjustable Angle Product Entry
- Screw Motor
- Product entry
- Incline Adjustable Screens
- Product Separation Screen
- Galvanized Body
- Engine 380 v 50 Hz IP 55

OPTIONAL EQUIPMENT:

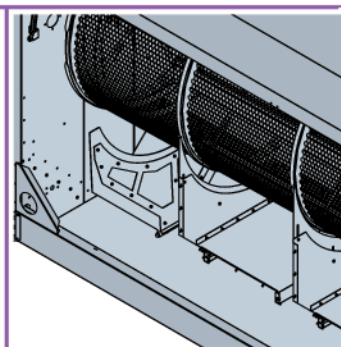
- Air Duct
- Cyclone / Jet-Pulse Filter
- Air Lock
- Frame
- Wood Sieve Cleaning Roller
- Rubber Coated Spill Chamber



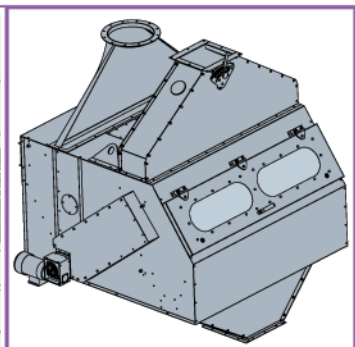
Product Entry



Tilt Adjustment

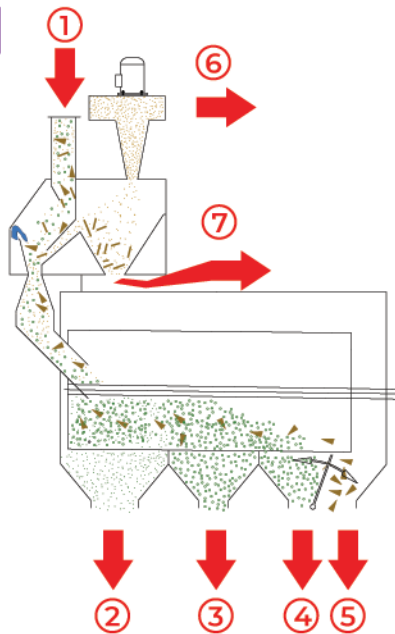


Product Separation Screen

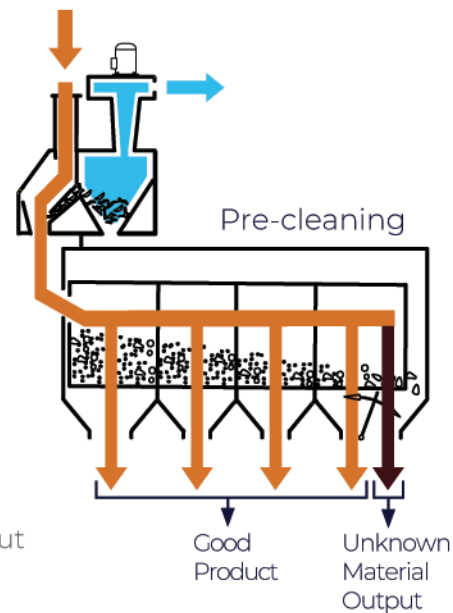


Air Duct

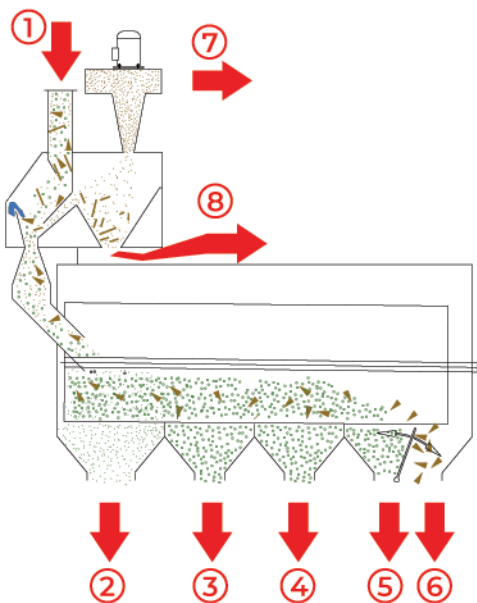
SR350



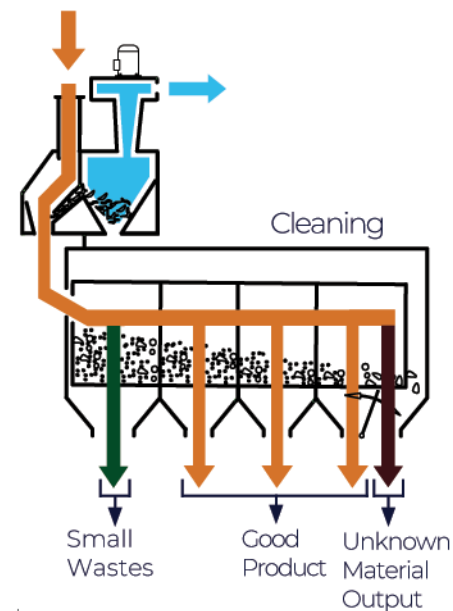
- ① Product Entry
- ② Minor Waste Outflow
- ③ Final Product Output
- ④ Final Product Output
- ⑤ Bigger Waste Output
- ⑥ Aspiration Output
- ⑦ Small Unknown Material Output



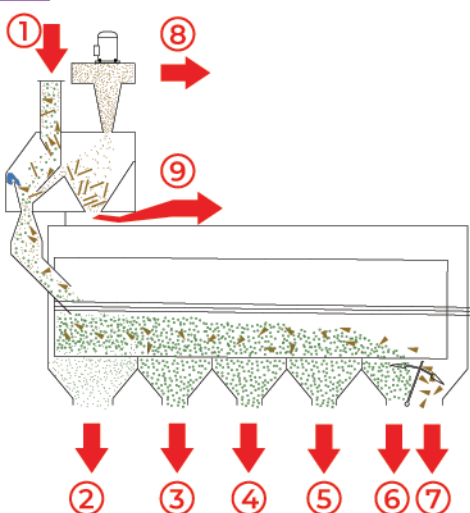
SR4100



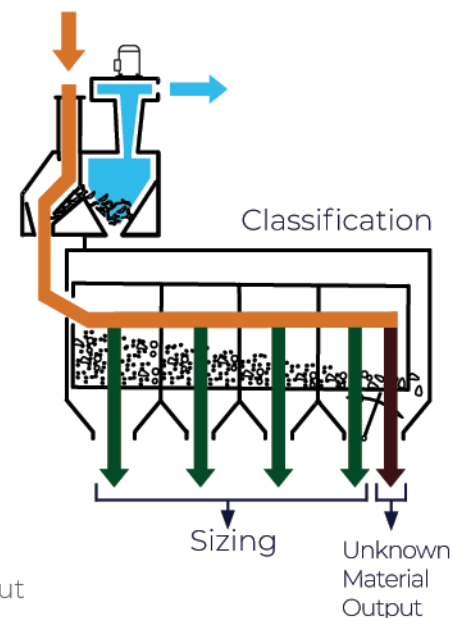
- ① Product entry
- ② Minor Waste Outflow
- ③ Final Product Output
- ④ Final Product Output
- ⑤ Final Product Output
- ⑥ Bigger Waste Output
- ⑦ Aspiration Output
- ⑧ Small Unknown Material Output



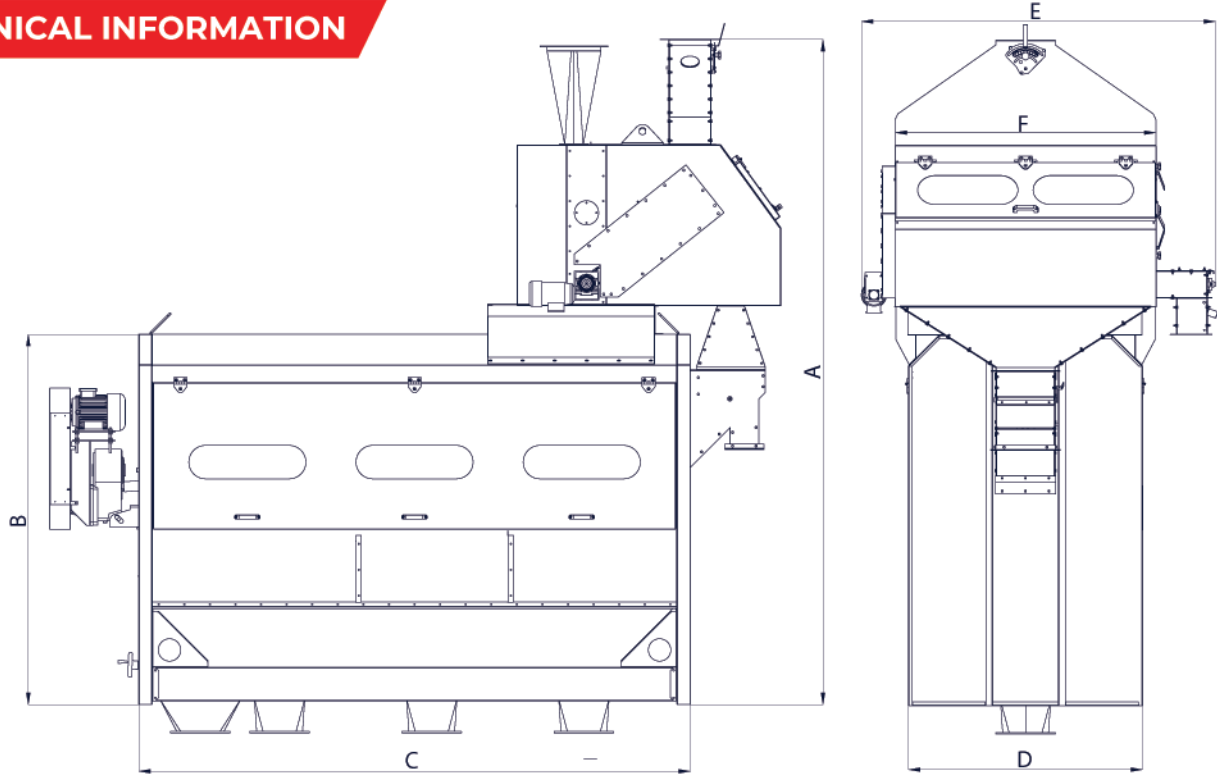
SR5150



- ① Product entry
- ② Minor Waste Outflow
- ③ Final Product Output
- ④ Final Product Output
- ⑤ Final Product Output
- ⑥ Final Product Output
- ⑦ Bigger Waste Output
- ⑧ Aspiration Output
- ⑨ Small Unknown Material Output



TECHNICAL INFORMATION



Super Rotary (SR) Model Pre-Cleaning Size Chart

| | SR350 | SR4100 | SR5150 |
|-----------------|-------|--------|--------|
| A Height * (mm) | 3980 | 3980 | 3980 |
| B Height | 2215 | 2215 | 2215 |
| C Length* (mm) | 3300 | 4200 | 5120 |
| D Width | 1400 | 1400 | 1400 |
| E Width | 2115 | 2115 | 2115 |
| F Width | 1560 | 1560 | 1560 |

Super Rotary (SR) Model Pre-Cleaning Capacity Chart

| Model | SR350 | SR4100 | SR5150 |
|------------------------------|-------|--------|--------|
| Pre-Cleaning Capacity (t/h) | 50 | 100 | 150 |
| Number of sieves | 3 | 4 | 5 |
| Sieve Area (m ²) | 9 | 12 | 15 |
| Main Engine (kw) | 3 | 4 | 5,5 |
| Aspiration Engine (kw) | 5,5 | 5,5 | 5,5 |
| Helical Engine (kw) | 0,75 | 0,75 | 0,75 |
| Weight (kg) | 2162 | 2400 | 2550 |
| Volume (m ³) | 24 | 29 | 35 |
| Drum Diameter (mm) | 1200 | 1200 | 1200 |

* General dimensions.

* The capacities specified in the table are the maximum values given for pre-cleaning wheat at a density of 769 kg / m³, 14% and 2% impurity.

* Pre-cleaning capacities and cleaning rates vary according to the size of the sieves and the contamination of the grain.

* The capacities are based on wheat, according to the pre-cleaning process.